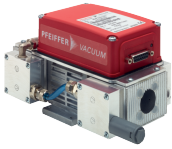
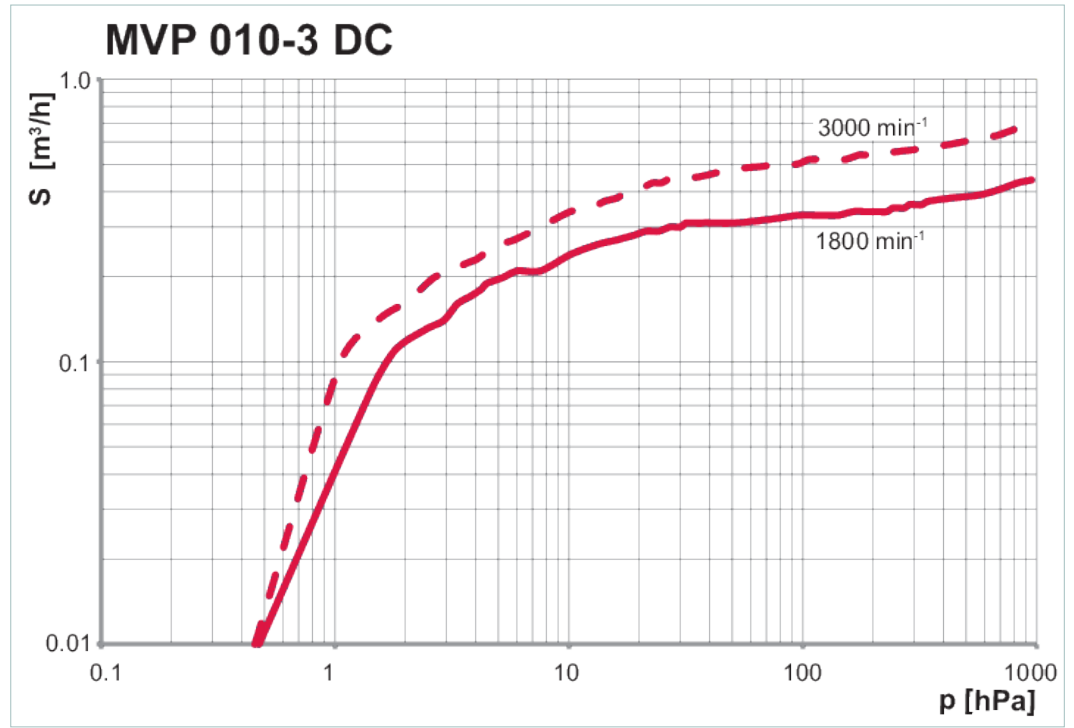


# MVP 010-3 DC, Diaphragm pump, 24 V DC

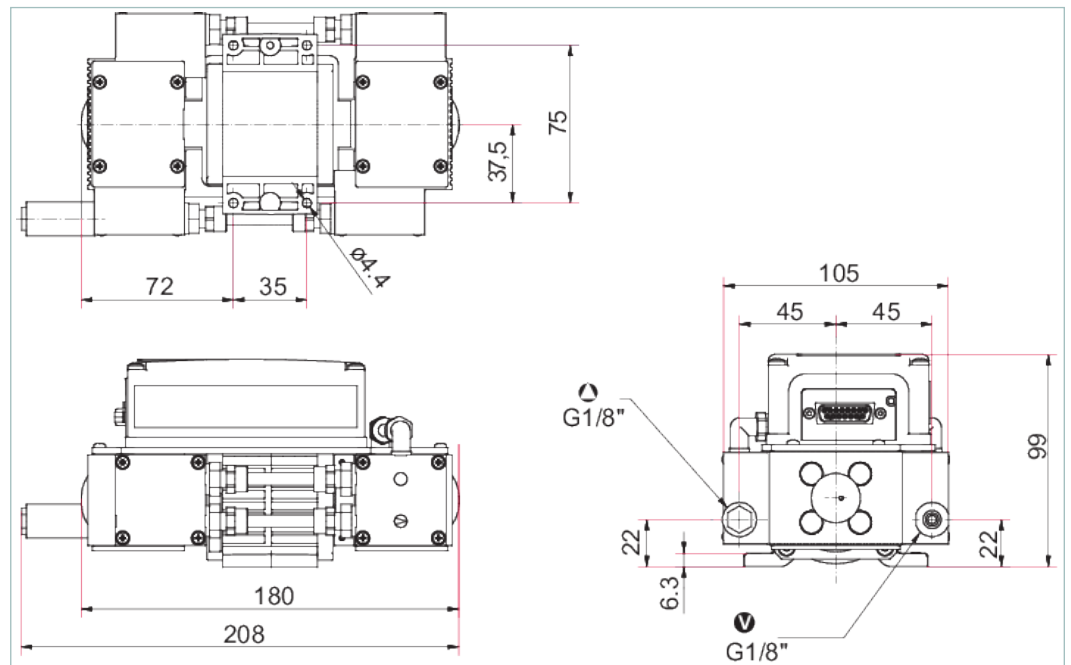


Similar Image

## MVP 010-3 DC, Diaphragm pump, 24 V DC



### Dimensions



### Technical Data

### MVP 010-3 DC, Diaphragm pump, 24 V DC

Pumping speed	0.6 m <sup>3</sup> /h   0.35 cfm   10 l/min
Ultimate pressure without gas ballast	≤ 1 hPa   ≤ 0.75 Torr   ≤ 1 mbar
Flange (in)	G 1/8"
Number of pumping stages	4

Technical Data	MVP 010-3 DC, Diaphragm pump, 24 V DC
Flange (out)	G 1/8" with silencer (separate package)
Motor version	DC motor
Voltage: Range	± 10 %
Current max.	2.5 A
Rated current absorption	1.3 A
Short circuit current of power supply, max.	45 A
Protection category	IP 20
Operating altitude, max.	2000 m
Rotation speed	540-3,000 rpm   540-3,000 min <sup>-1</sup>
Cooling method, standard	Convection cooled
Ambient temperature	5-40 °C   41-104 °F   278-313 K
Temperature: Storage	5-40 °C   41-104 °F   278-313 K
Intake pressure max.	1,100 hPa   825 Torr   1,100 mbar
Exhaust pressure, max.	1,100 hPa   825 Torr   1,100 mbar
I/O interfaces	RS-485
Sound pressure level	50 dB(A)
Emission sound pressure level without gas ballast or purge	50 dB(A)
Switch New	No
Leak rate	≤ 5 · 10 <sup>-4</sup> Pa m <sup>3</sup> /s   ≤ 3.75 · 10 <sup>-3</sup> Torr l/s   ≤ 5 · 10 <sup>-3</sup> mbar l/s
Weight	2 kg   4.41 lb
Order number	
MVP 010-3	PK T05 072

<b>Accessories</b>	
<b>Cables Connection cables</b>	
Connection cable for HiPace with TC 110/120	<b>PM 061 543 -T</b>
Connection cable with RS-485 interface for TC 110/120 to power supply pack	<b>PM 061 350 -T</b>
Connection cable MVP-TC-TPS, 3 m	<b>PE 100 013 -T</b>
<b>Connections Adapters Turbopump to Backing Pump</b>	
Hose DN 6; (ø 8/6 mm) polyethylene	<b>P 0991 939</b>
Tube connection DN 6 x 400 mm with straight fitting G 1/8" and G 1/4" including seal	<b>P 0920 739 E</b>
Tube connection DN 6 x 1000 mm with straight fitting G 1/8" and G 1/4" including seal	<b>P 0920 817 E</b>
Push-in T-fitting G 1/8"	<b>P 4131 030 E</b>
<b>Connections Screw-in flanges</b>	
Screw-in flange DN 16 ISO-KF / G 1/8" incl. seal	<b>PK 050 108 -T</b>
<b>Control Devices Power supplies and control displays</b>	
DCU 110, Display control unit with power supply pack	<b>PM C01 820</b>
TPS 110, power supply pack for wall/standard rail fitting	<b>PM 061 340 -T</b>
TPS 111, power supply pack 3HU 19" rack module	<b>PM 061 344 -T</b>
<b>Control Units without Power supply</b>	
DCU 002, Display Control Unit	<b>PM 061 348 -T</b>
HPU 001, Handheld programming unit	<b>PM 051 510 -T</b>
<b>Diaphragm Pumps</b>	
Mains cable 115/230 V without plug, socket (straight), 3 m	<b>P 4564 309 ZH</b>
<b>Turbopumps</b>	
Mains cable 230 V AC, CEE 7/7 to C13, 3 m	<b>P 4564 309 ZA</b>
Mains cable 115 V AC, NEMA 5-15 to C13, 3 m	<b>P 4564 309 ZE</b>
USB converter to RS-485 interface	<b>PM 061 207 -T</b>
Y-Connector M12 to RS-485	<b>P 4723 010</b>
<b>Turbopumps/Measurement</b>	
Interface cable, M12 m straight/M12 m straight, 3 m	<b>PM 061 283 -T</b>
<b>Vibration Reduction Foot plates</b>	
Foot plate with rubber feet	<b>PK 050 273</b>

## **VACUUM SOLUTIONS FROM A SINGLE SOURCE**

Pfeiffer Vacuum stands for innovative and custom vacuum solutions worldwide, technological perfection, competent advice and reliable service.

## **COMPLETE RANGE OF PRODUCTS**

From a single component to complex systems:

We are the only supplier of vacuum technology that provides a complete product portfolio.

## **COMPETENCE IN THEORY AND PRACTICE**

Benefit from our know-how and our portfolio of training opportunities!

We support you with your plant layout and provide first-class on-site service worldwide.

Are you looking for a  
perfect vacuum solution?  
Please contact us:

**Pfeiffer Vacuum GmbH**  
Headquarters · Germany  
T +49 6441 802-0  
info@pfeiffer-vacuum.de

[www.pfeiffer-vacuum.com](http://www.pfeiffer-vacuum.com)

All data subject to change without prior notice.

**PFEIFFER**  **VACUUM**